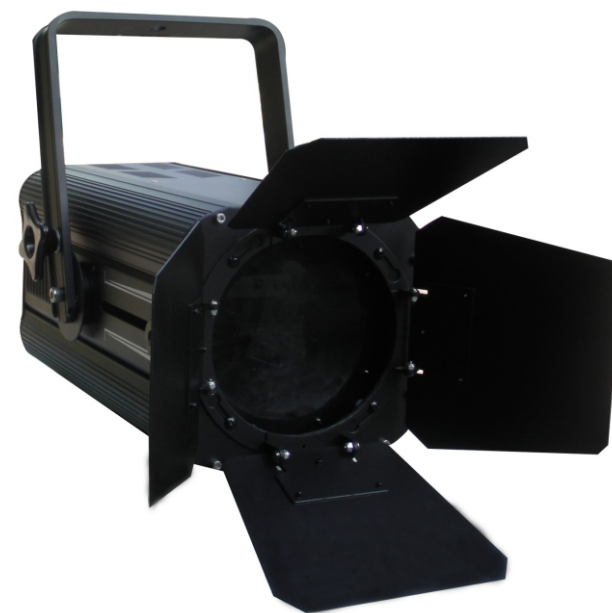


Operating Manual



200T-RGBW LED Zoom Fresnel Light



Table of Contents

1. INTRODUCTION.....	2
2. DESCRIPTION OF THE FIXTURE.....	2
3. DIMENSIONS.....	2
4. WIRING DIAGRAM.....	3
5. CONTROL BOARD.....	3
6. OPERATION.....	4
1. Menu structure	
2. Master/Slave Setting	
7. ILLUMINATION DIAGRAM.....	5
8. DMX CHANNELS.....	6
1. DMX 12 Channel Mode	
2. DMX 6 Channel Mode	
3. Color Temperature (CCT) Ratio	
9. TECHNICAL SPECIFICATIONS.....	8
10. NOTICE.....	8

7. 《DMX512 Function》

In D M X mode, the LED display is normal when there is no DMX5 1 2 signal input, and the LED display is lights up when the DMX5 1 2 signal is input

3. 《CCS、Color Calibration System》

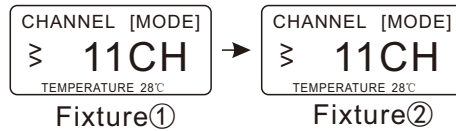
If more than two fixtures have different output colors, check that the whether correcting settings for each fixture are consistent, as show below ①, Factory setting:ON.



①

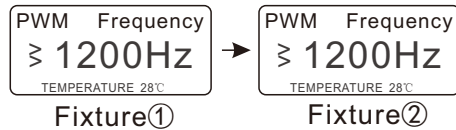
4. 《Channels Function》

This fixture has 6-channel mode and 11-channel mode selection. In DMX512 mode, If more than two fixtures have different settings, check whether the channel functions are consistent. as show below ①②, Factory setting[11CH].



5. 《PWM Function》

In DMX. Master/Slave mode, If the dimming smoothness and color output are different on more than two fixtures, check that whether the PWM settings are consistent. as show below ①②, Factory setting[1200Hz].

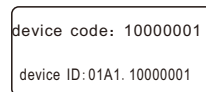


6. 《RDM Function》

If use the RDM function, that must use the console to search each fixture and change the fixture address code in the DMX 512 mode.

Identification Code: each fixture has an identification code as show below①, the identification code of each fixture is different, Please check he fixture label.

①

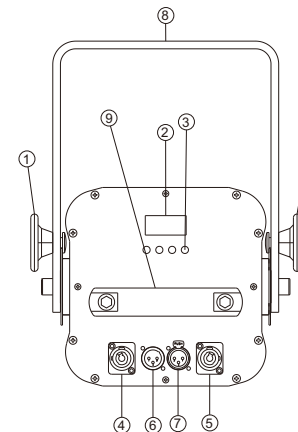


1.INTRODUCTION

1. Thank you for having chosen a 200T-RGBW LED Zoom Fresnel Light, please read this user manual carefully before you initially start-up.

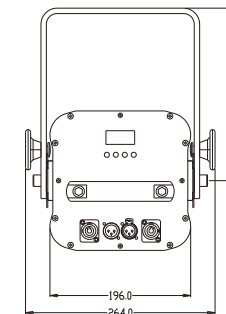
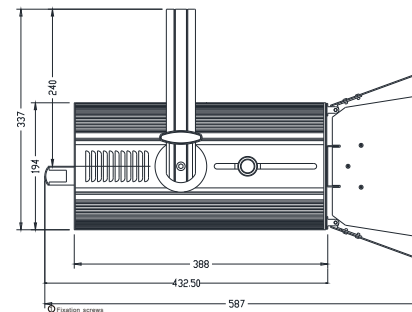
2. This product is allowed to be operated with an alternating voltage of AC90-240V 50/60Hz and designed for indoor use only.

2. Description of the fixture



- ① Fixation screws
- ② LCD Display
- ③ Function selection knob
- ④ Power IN
- ⑤ Power Out
- ⑥ DMX Out
- ⑦ DMX IN
- ⑧ Installtion stand
- ⑨ Insulate handle

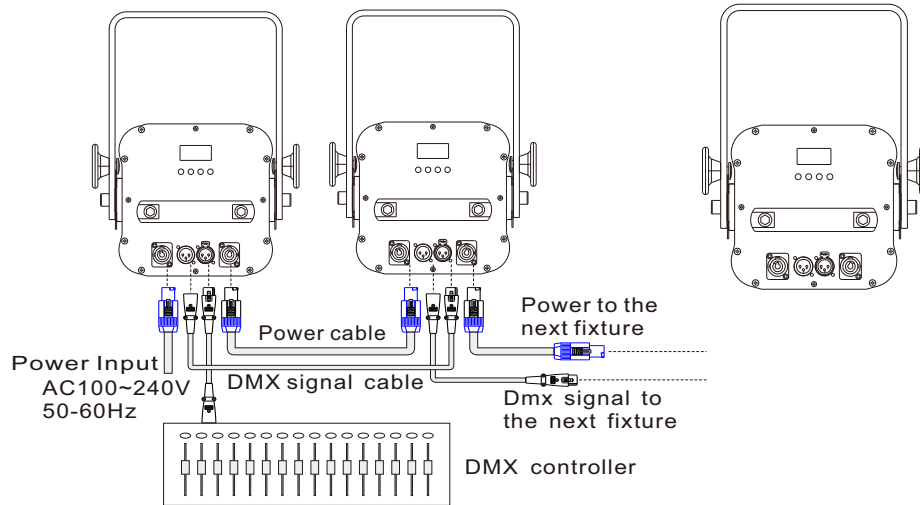
3. Dimensions



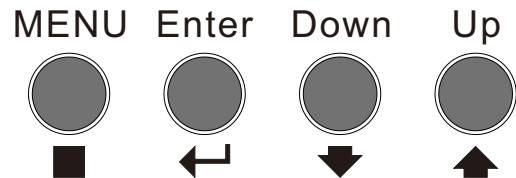
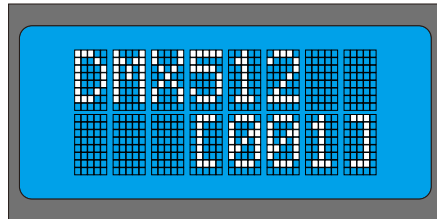
Unit: mm

LED Zoom Fresnel Light

4. Wiring Diagram



5. Control Board



- Adjust the key setting function on the control panel
- Press “MENU” --->Display first -level menu--->
- Press “Enter” --->Display second-level menu--->
- Press “Down” & “Up” to adjust relevant function->
- Press “Enter” and “MENU” to quit current menu
- Press “Enter” ---> To next first-level menu.

LED Zoom Fresnel Light

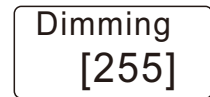
9. Technical Specifications

LED Source	COB 200W LED 4 IN 1, RGBW
Beam Angle	Beam angle 25-50° with high- efficiency optical system
Control	1.DMX512 2. RDM 3.Master/Slave Operation
DMX Channels	11CH/6CH
Connection	PowerCON IN & OUT; 3-Pin DMX In& Out(5 -Pin DMX available)
Voltage	Electronic full-range AC 100-240V 50/60Hz
Working Temperature	Indoor,IP20. -20°C-40°C (-4° F-104° F)
Power Consumption	180W
Dimensions (LxWxH)	58.7X26.4X19.4cm
Weight	7.25Kg

10. Please Note :

1. 《Dimming、Brightness Function》

Before using the fixture,you should check whether (Dimming,brightness function) is turned on ,As shown in figure①; the factory setting is on . This function should be checked when the fixture does not turn on when the lamp is turned on.It is not affected by this function in DMX mode



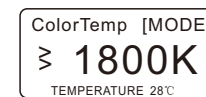
①

2. 《ColorTemp》

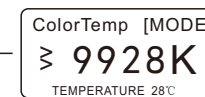
Master/Slave Mode, Colortemp(CCT)adjustable from 1800K to 9928K

As show below①②, factory setting as below③.

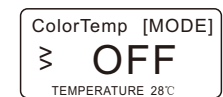
(If the Colortemp function is enabled, the R G B W function cannot be used alone. If you want to use the RGBW function alone, you must turn off Colortemp).



①



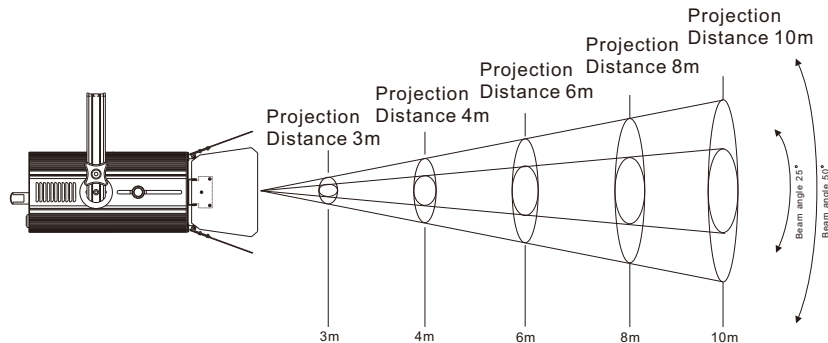
②



③

LED Zoom Fresnel Light

7. Illumination Diagram

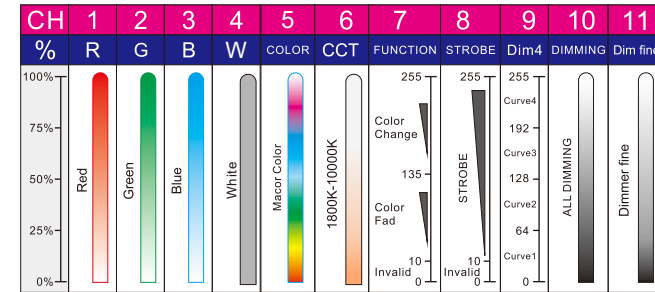


Illumination center/Lux	R	680	409	203	122	70	Beam angle 25°
	G	890	523	263	157	95	
	B	1060	392	305	184	110	
	W	1120	610	320	191	115	
Beam Diameter/cm		149	675	240	299	449	
Illumination center/Lux	R	220	140	80	50	35	Beam angle 50°
	G	270	170	95	62	43	
	B	305	185	101	69	50	
	W	300	180	100	70	51	
Beam Diameter/cm		300	378	429	631	946	

LED Zoom Fresnel Light

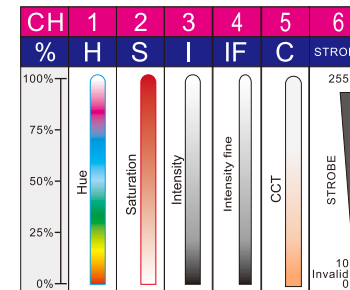
8. DMX Channels (This fixture has two DMX channel mode options)

① 11 Channels Function



channel 1-Red	000-255 levels linear dimming
channel 2-Green	000-255 levels linear dimming
channel 3-Blue	000-255 levels linear dimming
channel 4-White	000-255 levels linear dimming
channel 5-COLOR	000-255 levels RGBW color mixing
channel 6-CCT	000-255 levels linear dimming, CCT 1800K-10000K
channel 7-FUNCTION	000-009 levels without function
	010-127 levels fade function
	128-134 levels without function
channel 8-STROBE	135-255 levels auto function
	000-009 levels without function
channel 9-Dim4	010-255 levels strobe function
	000-063 first-level dimming delay function
	064-127 second-level dimming delay function
	128-191 third-level dimming delay function
channel 10-DIMMING	192-255 fourth-level dimming delay function
channel 10-DIMMING	000-255 levels master dimming
channel 11-Dim fine	000-255 levels dimmer fine

② HSIC Channels Mode



LED Zoom Fresnel Light

HSIC Channels Function

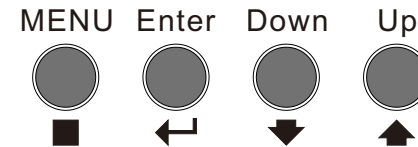
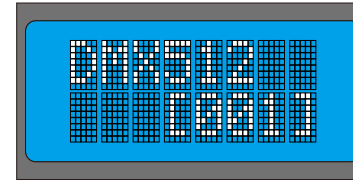
channel 1-Hue	000-255 levels RGBW color mixing
channel 2-Saturation	000-255 levels saturation adjustable
channel 3-Intensity	000-255 levels master dimming
channel 4-Intensity fine	000-255 levels dimmer fine
channel 5-CCT	000-255 levels linear dimming,CCT1800K-10000K
channel 6-STROBE	000-009 levels without function
	010-255 levels strobe function

Note: Color Temperature (CCT) Ratio

DMX levels	CCT DATA	DMX levels	CCT DATA
000↔006	1800K↔2000K	131↔137	6000K↔6200K
006↔012	2000K↔2200K	137↔144	6200K↔6400K
012↔018	2200K↔2400K	144↔150	6400K↔6600K
018↔024	2400K↔2600K	150↔156	6600K↔6800K
024↔030	2600K↔2800K	156↔162	6800K↔7000K
030↔036	2800K↔3000K	162↔169	7000K↔7200K
036↔044	3000K↔3200K	169↔175	7200K↔7400K
044↔050	3200K↔3400K	175↔181	7400K↔7600K
050↔056	3400K↔3600K	181↔187	7600K↔7800K
056↔062	3600K↔3800K	187↔194	7800K↔8000K
062↔069	3800K↔4000K	194↔200	8000K↔8200K
069↔075	4000K↔4200K	200↔206	8200K↔8400K
075↔081	4200K↔4400K	206↔212	8400K↔8600K
081↔087	4400K↔4600K	212↔219	8600K↔8800K
087↔094	4600K↔4800K	219↔225	8800K↔9000K
094↔100	4800K↔5000K	225↔231	9000K↔9200K
100↔106	5000K↔5200K	231↔237	9200K↔9400K
106↔112	5200K↔5400K	237↔244	9400K↔9600K
112↔119	5400K↔5600K	244↔250	9600K↔9800K
119↔125	5600K↔5800K	250↔255	9800K↔10000K
125↔131	5800K↔6000K		

LED Zoom Fresnel Light

6. Operation



LCD display	Function setting
DMX512 MODE	setting the DMX starting address from 001-512
Dimmer R-[MODE]	setting the red color brightness 000-255
Dimmer G-[MODE]	setting the green color brightness 000-255
Dimmer B-[MODE]	setting the blue color brightness 000-255
Dimmer W-[MODE]	setting the white color brightness 000-255
Col_Temp [MODE]	setting the CCT 1800K-9928K
Dimming [MODE]	Dimming 000-255
Strobe [MODE]	setting the strobe speed 000-012
Fade [MODE]	setting the fade speed 000-012
Auto [MODE]	setting the auto speed 000-012
CCS [MODE]	correcting function ON-OFF
Channel [MODE]	setting DMX channels 11CH-6CH
PWM Frequency [MODE]	setting PWM frequency 1200Hz-20000Hz

■ Master/Slave Setting

1. Set the mast fixture to Dimmer or Strobe
2. Set each slave fixture to the same DMX001 (As show below)

